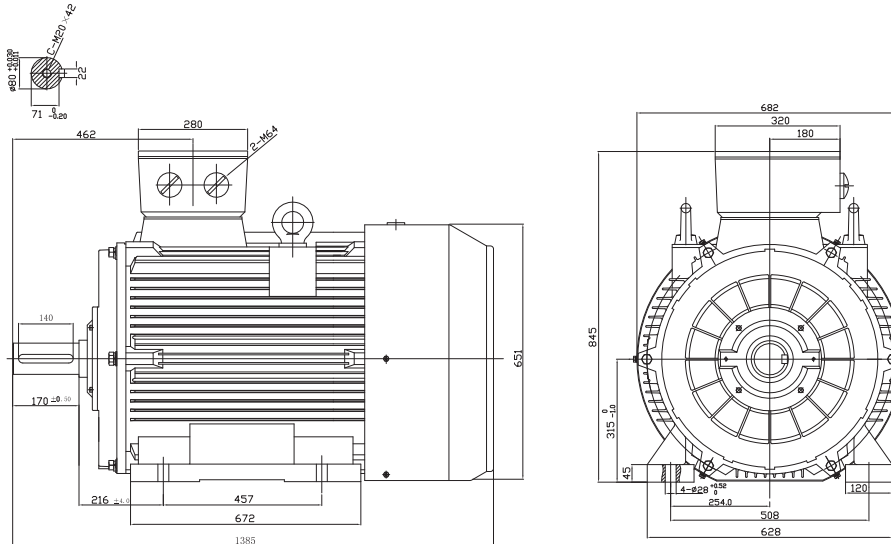


Type Q3T 315 MX4

Cod. R315041600B3B5G0000T

Mounting position

IM	B3
IM	1001



Electrical data				General data			
Rated motor power	160		Kw	Frame size	315		
Rated motor speed	1480		min ⁻¹ 50Hz	Mounting	B3		
	1780		min ⁻¹ 60Hz	Weight	1121.4	Kg	
Rated motor frequency	50		Hz	Casing material	Cast iron		
Rated motor voltage(+/-10%)	400		VΔ/50Hz	Protection	IP	55	
	690		VY/50Hz	Insulation class/Temperature rise	F	/	B
	480		VΔ/60Hz	Tropicalization	Yes		
	830		VY/60Hz	Vibration class	N		
Rated motor torque	1032.4		Nm (Mn)	Duty	S1		
Rated motor current	273.9	VΔ/50Hz	A (In)	Direction of rotation	Bidirectional		
	158.32	VY/50Hz	A (In)	Method of cooling	IC	411	
Starting motor current	9		xIn	Cable entry	2-M63x1,5+1M16x1,5		
Starting motor torque	2.2		xMn	Standards	IEC/DIN/ISO/VDE/EN		
Breakdown motor torque	2.6		xMn	Execute at Standard	IEC 60034-1		
Starting			D.O.L.	Feet removable	No		
Efficiency class	IE3			Paintwork	RAL	7024	dark grey
Efficiency	50Hz	60Hz		Thermal protections	n/a		
	95.8	96.2	100% load				
	96	96.9	75% load				
	95.1	95.4	50% load				
Power factor cosφ	0.88	0.88	100% load				

Mechanical data				Site conditions			
Noise level	LpA	77	dB(A)	Bearing DE side	NU319		
	LwA	87	dB(A)	Bearing NDE side	6319-C3		
Moment of inertia	5.1099		Kgm ²	Average bearing lifetime	40000	h	
Bearings type			NSK	Relubrication interval L1 DE bearing	3800	h	
Lubricants for bearings	See installation and maintenance manual page 12			Relubrication interval L1 NDE bearing	7600	h	
				Compensation ring	NDE SIDE	standard	