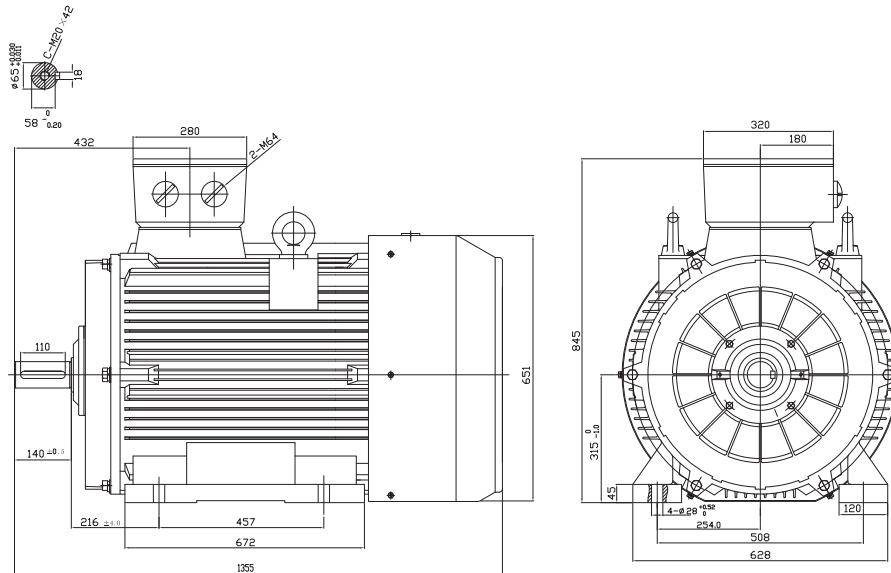


Type Q3T 315 M2

Cod. R315021320B3B5G0000T

Mounting position

IM	B3
IM	1001



Electrical data				General data			
Rated motor power	132		Kw	Frame size	315		
Rated motor speed	2960		min ⁻¹ 50Hz	Mounting	B3		
	3555		min ⁻¹ 60Hz	Weight	1053.4		Kg
Rated motor frequency	50		Hz	Casing material	Cast iron		
Rated motor voltage(+/-10%)	400		VΔ/50Hz	Protection	IP	55	
	690		VY/50Hz	Insulation class/Temperature rise	F	/	B
	480		VΔ/60Hz	Tropicalization	Yes		
	830		VY/60Hz	Vibration class	N		
Rated motor torque	425.9		Nm (Mn)	Duty	S1		
Rated motor current	221.9	VΔ/50Hz	A (In)	Direction of rotation	Bidirectional		
	128.27	VY/50Hz	A (In)	Method of cooling	IC	411	
Starting motor current	7		xIn	Cable entry	2-M63x1,5+1M16x1,5		
Starting motor torque	2		xMn	Standards	IEC/DIN/ISO/VDE/EN		
Breakdown motor torque	2.3		xMn	Execute at Standard	IEC 60034-1		
Starting			D.O.L.	Feet removable	No		
Efficiency class	IE3			Paintwork	RAL	7024	dark grey
Efficiency	50Hz	60Hz		Thermal protections	n/a		
	95.4	95.4	100% load				
	95.5	96.1	75% load				
	94.7	94.6	50% load				
Power factor cosφ	0.9	0.9	100% load				

Mechanical data				Site conditions			
Noise level	LpA	80	dB(A)	Bearing DE side	6317-C3		
	LwA	90	dB(A)	Bearing NDE side	6317-C3		
Moment of inertia	1.9386		Kgm ²	Average bearing lifetime	40000		h
Bearings type			NSK	Relubrication interval L1 DE bearing	3200		h
Lubricants for bearings	See installation and maintenance manual page 12			Relubrication interval L1 NDE bearing	3200		h
				Compensation ring	NDE SIDE		standard