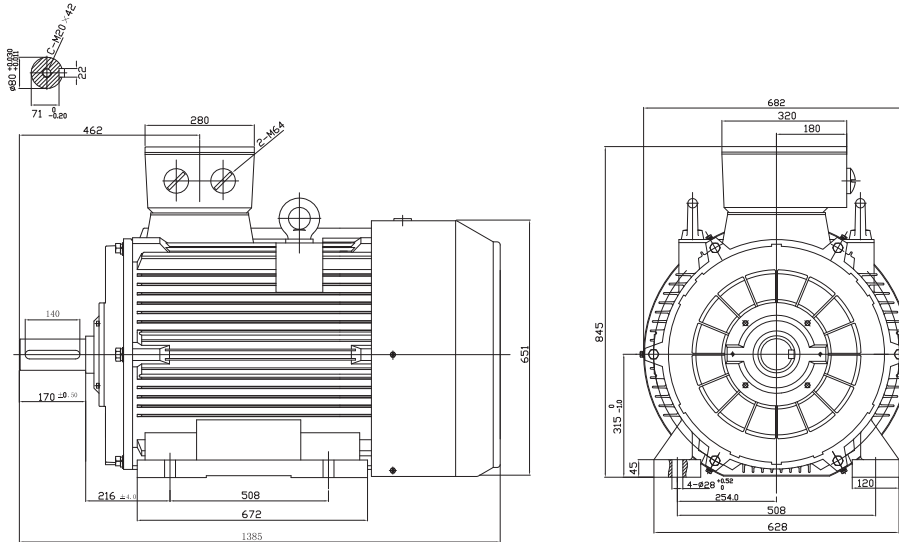


Type Q3T 315 L6

Cod. R315061320B3B5G0000T

Mounting position

IM	B3
IM	1001



Electrical data				General data			
Rated motor power	132		Kw	Frame size	315		
Rated motor speed	980		min <sup>-1</sup> 50Hz	Mounting	B3		
	1180		min <sup>-1</sup> 60Hz	Weight	1130.4	Kg	
Rated motor frequency	50		Hz	Casing material	Cast iron		
Rated motor voltage(+/-10%)	400		VΔ/50Hz	Protection	IP	55	
	690		VY/50Hz	Insulation class/Temperature rise	F	/	B
	480		VΔ/60Hz	Tropicalization	Yes		
	830		VY/60Hz	Vibration class	N		
Rated motor torque	1286.3		Nm (Mn)	Duty	S1		
Rated motor current	243.6	VΔ/50Hz	A (In)	Direction of rotation	Bidirectional		
	140.81	VY/50Hz	A (In)	Method of cooling	IC	411	
Starting motor current	7.5		xIn	Cable entry	2-M63x1,5+1M16x1,5		
Starting motor torque	2		xMn	Standards	IEC/DIN/ISO/VDE/EN		
Breakdown motor torque	2.3		xMn	Execute at Standard	IEC 60034-1		
Starting			D.O.L.	Feet removable	No		
Efficiency class	IE3			Paintwork	RAL	7024	dark grey
Efficiency	50Hz	60Hz		Thermal protections	n/a		
	95.4	96	100% load				
	95.7	96.7	75% load				
	94.2	95.2	50% load				
Power factor cosφ	0.82	0.82	100% load				

Mechanical data			
Noise level	LpA	73	dB(A)
	LwA	83	dB(A)
Moment of inertia	6.62638		Kgm <sup>2</sup>
Bearings type			NSK
Lubricants for bearings	See installation and maintenance manual page 12		
			Bearing DE side
			Bearing NDE side
			Average bearing lifetime
		Relubrication interval L1 DE bearing	40000 h
		Relubrication interval L1 NDE bearing	5900 h
		Compensation ring	11800 h
			NDE SIDE standard