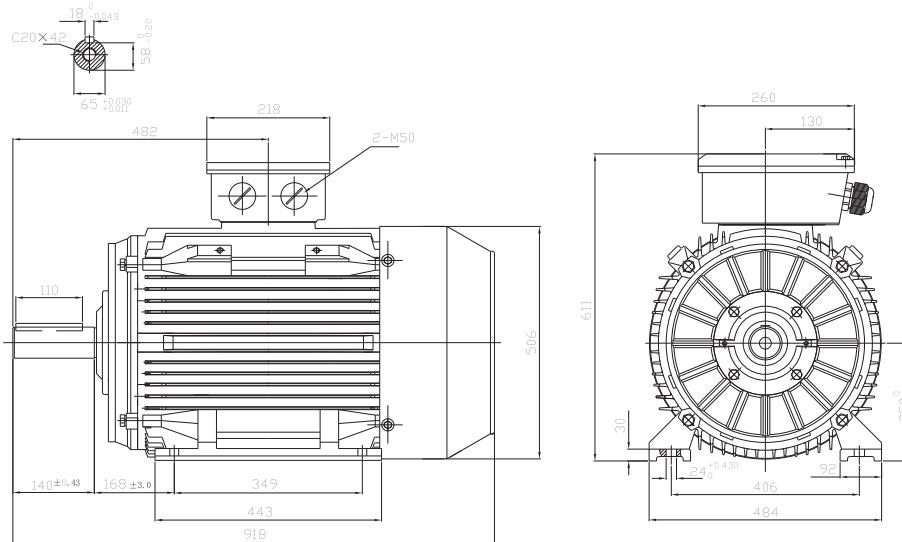


Type Q3T 250 M4

Cod. R2500455,0B3B5G0000T

Mounting position

IM	B3
IM	1001



Electrical data				General data			
Rated motor power	55		Kw	Frame size	250		
Rated motor speed	1470		min ⁻¹ 50Hz	Mounting	B3		
	1765		min ⁻¹ 60Hz	Weight	414.8		Kg
Rated motor frequency	50		Hz	Casing material	Cast iron		
Rated motor voltage(+/-10%)	400		VΔ/50Hz	Protection	IP	55	
	690		VY/50Hz	Insulation class/Temperature rise	F	/	B
	480		VΔ/60Hz	Tropicalization	Yes		
	830		VY/60Hz	Vibration class	N		
Rated motor torque	357.3		Nm (Mn)	Duty	S1		
Rated motor current	95.4	VΔ/50Hz	A (In)	Direction of rotation	Bidirectional		
	55.14	VY/50Hz	A (In)	Method of cooling	IC	411	
Starting motor current	8.5		xIn	Cable entry	2-M50x1,5+1M16x1,5		
Starting motor torque	2.5		xMn	Standards	IEC/DIN/ISO/VDE/EN		
Breakdown motor torque	2.5		xMn	Execute at Standard	IEC 60034-1		
Starting			D.O.L.	Feet removable	Yes		
Efficiency class	IE3			Paintwork	RAL	7024	dark grey
Efficiency	50Hz	60Hz		Thermal protections	n/a		
	94.6	95.7	100% load				
	95.2	96.4	75% load				
	94.5	94.9	50% load				
Power factor cosφ	0.88	0.88	100% load				

Site conditions	
Ambient temperature	from -20°C to +40°C
Altitude above sea level	1000 m

Mechanical data			
Noise level	LpA	70	dB(A)
	LwA	80	dB(A)
Moment of inertia	0.76504		Kgm ²
Bearings type			NSK
Lubricants for bearings	See installation and maintenance manual page 12		
		Bearing DE side	6314-C3
		Bearing NDE side	6314-C3
		Average bearing lifetime	40000 h
	Relubrication interval L1 DE bearing	11500 h	
	Relubrication interval L1 NDE bearing	11500 h	
	Compensation ring	NDE SIDE	standard