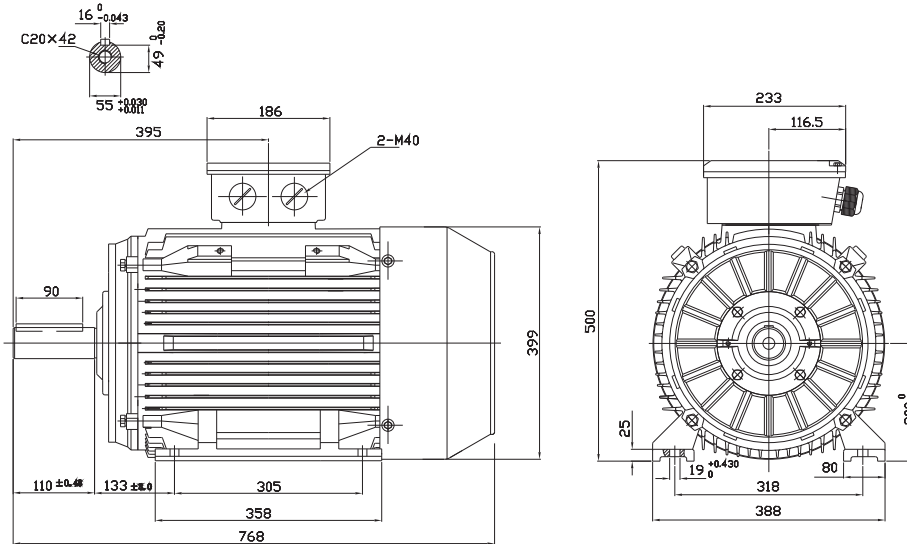


Type Q3T 200 LX6

Cod. R2000622,0B3B5G0000T

Mounting position

IM	B3
IM	1001



Electrical data				General data			
Rated motor power	22		Kw	Frame size	200		
Rated motor speed	970		min ⁻¹ 50Hz	Mounting	B3		
	1165		min ⁻¹ 60Hz	Weight	250	Kg	
Rated motor frequency	50		Hz	Casing material	Cast iron		
Rated motor voltage(+/-10%)	400		VΔ/50Hz	Protection	IP	55	
	690		VY/50Hz	Insulation class/Temperature rise	F	/	B
	480		VΔ/60Hz	Tropicalization	Yes		
	830		VY/60Hz	Vibration class	N		
Rated motor torque	216.6		Nm (Mn)	Duty	S1		
Rated motor current	42.5	VΔ/50Hz	A (In)	Direction of rotation	Bidirectional		
	24.57	VY/50Hz	A (In)	Method of cooling	IC	411	
Starting motor current	10		xIn	Cable entry	2-M40x1,5+1M16x1,5		
Starting motor torque	2.5		xMn	Standards	IEC/DIN/ISO/VDE/EN		
Breakdown motor torque	2.8		xMn	Execute at Standard	IEC 60034-1		
Starting			D.O.L.	Feet removable	Yes		
Efficiency class	IE3			Paintwork	RAL	7024	dark grey
Efficiency	50Hz	60Hz		Thermal protections	n/a		
	92.2	93.6	100% load				
	93	94.3	75% load				
	91.3	92.9	50% load				
Power factor cosφ	0.81	0.81	100% load				
Mechanical data				Site conditions			
Noise level	LpA	63	dB(A)	Ambient temperature	from -20°C to +40°C		
	LwA	72	dB(A)	Altitude above sea level	1000 m		
Moment of inertia	0.44941		Kgm ²	Bearing DE side	6312-C3		
Bearings type			NSK	Bearing NDE side	6312-C3		
Lubricants for bearings	See installation and maintenance manual page 12			Average bearing lifetime	40000	h	
				Relubrication interval L1 DE bearing	23000	h	
				Relubrication interval L1 NDE bearing	23000	h	
				Compensation ring	NDE SIDE	standard	